

RJ45 male 0° / RJ45 male 90° left, shielded EN

PUR 2x2xAWG22 shielded gn UL/CSA+dragchain 5m

Ethernet CAT5

Male straight – male 90° left

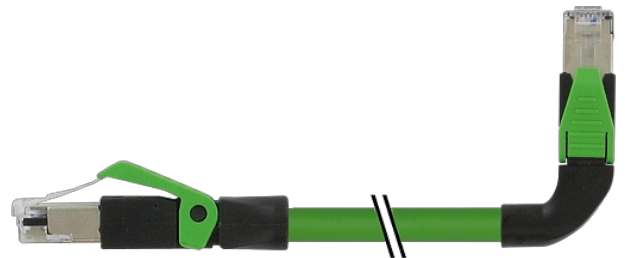
RJ45 – RJ45, 4-pole

shielded

Further cable lengths on request.

Plastic housings with good resistance against chemicals and oils.

The resistance to aggressive media should be individually tested for your application. Further details on request.

[Link to Product](#)**Illustration**

Product may differ from image

More Info

EtherNet/IP

EtherCAT

PROFI
NET**Form**

Form 74367

General data

Mounting method	inserted
Pollution Degree	3
Temperature range	-25...+85 °C, depending on cable quality

Cables

No./diameter of wires	2x 2x 0.34 mm ²
Wire isolation	PE (wh, ye, bl, or)
C-track properties	3 Mio.
Jacket Color	green
Material (jacket)	PUR (UL/CSA)
Outer Ø	6.7 mm ±5%
Bend radius (moving)	12x outer Ø
Temperature range (fixed)	-40...+80 °C
Temperature range (mobile)	-30...+70 °C
Cable identification	796
Approval (cable)	UL (AWM-Style 20233/11602), CSA; CE
Cable weight [g/m]	69,3
Material (wire)	Cu wire, bare

Resistor (core)	max. 55 Ω /km (20 °C)
Diameter (core)	2x 2x AWG22
Material (wire isolation)	PE
Wire- \emptyset incl. isolation	1.4 mm \pm 5%
Color/numbering of wires	wh, ye, bl, or
Shield	yes
	min. 85%
Material (jacket)	PUR
Outer- \emptyset (jacket)	6.7 mm \pm 5%
Color (jacket)	green
thermal resistance	flammwidrig nach UL 1581 Section 1060 (FT1), Section 1061 (cable flame), Section 1080 (VW-1) / IEC 60332-1-2
Nominal voltage	300 V
Temperature range (fixed)	-40...+80 °C
Temperature range (mobile)	-30...+70 °C
Bend radius (fixed)	5x outer \emptyset
Bend radius (moving)	12x outer \emptyset
No. of bending cycles (C-track)	max. 3 Mio. (25 °C)
Traversing distance (C-track)	max. 5 m (horizontal)
Travel speed (C-track)	max. 3.3 m/s
Acceleration (C-track)	max. 2 m/s ²

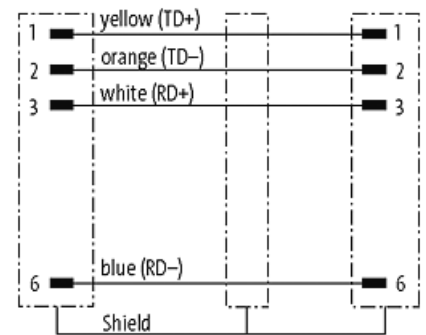
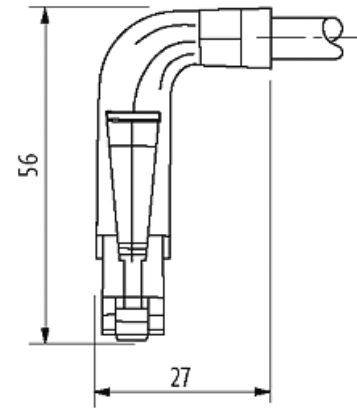
Technical Data

Operating voltage	max. 60 V DC
Rated surge voltage	1.0 kV
Operating current per contact	max. 1.5 A (20 °C)
Material group	IEC 60664-1, category I
Transfer parameters	CAT5, Class D (ISO/IEC 11801:2002), (EN 50173-1)
Transfer rate	up to 100 Mbit/s full duplex
LED display	no
Locking of ports	Snap-in connector
Protection	IP20 inserted and tightened (EN 60529)
Locking material	PA
Material	PUR
suitable for corrugated tube (internal \emptyset)	without

Commercial data

country of origin	DE
customs tariff number	85444210
EAN	4048879611824
eClass	27061801
Packaging unit	1

Sketch



Product may differ from Image